

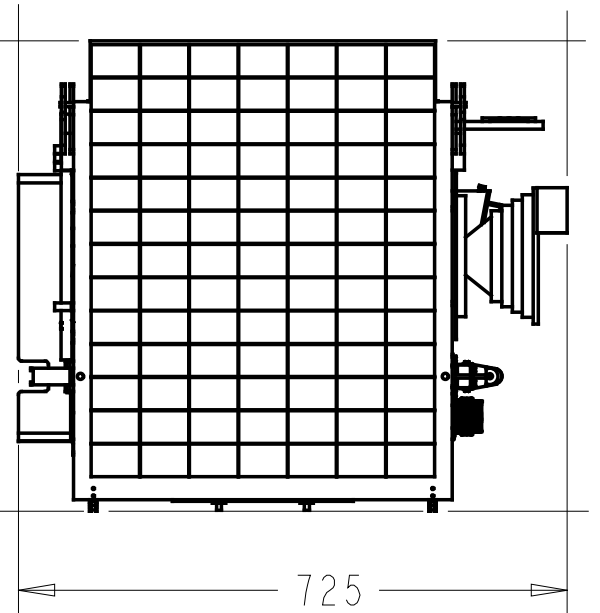
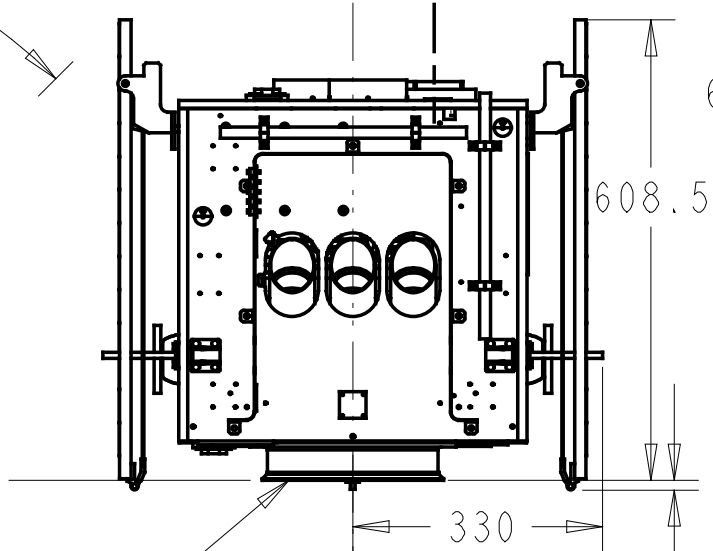
Envelope

Optical Axis of NSAS

Optical Axis of MAC

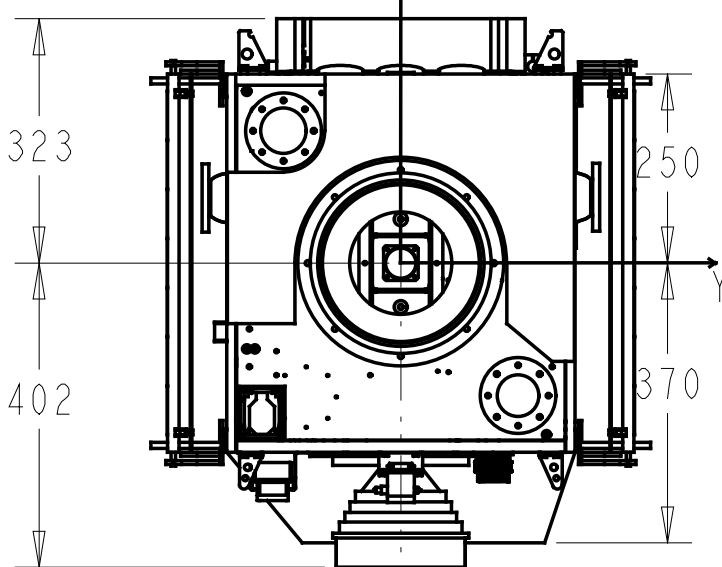
90.0° REF
100.5° REF
45.0° REF

Envelope



Optical Axis of SSAS
Separation Plane

Optical Axis of STT



Product	INDEX
Scale	1/10, A3
Writer	Toshinori Ikenaga
Date	2004.8.10